

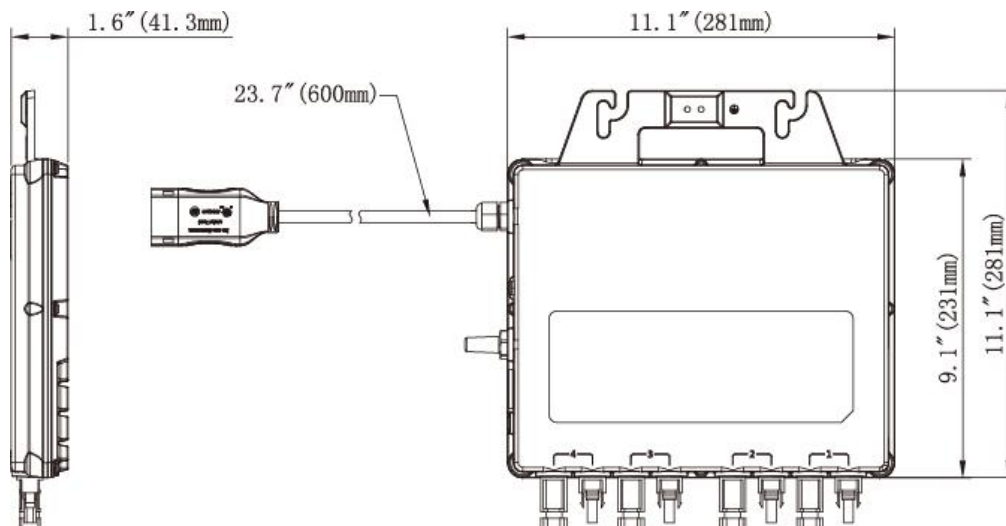


QS1

Microinverter

- Single unit connects up to four solar modules
- 4 input channels with independent MPPT and monitoring function
- Maximum continuous output power up to 1200W

DIMENSIONS



The APsystems QS1 is a grid-tied microinverter with intelligent networking and advanced monitoring systems to ensure maximum efficiency. High efficiency, high reliability of the QS1 with 4 independent MPPT inputs, Maximum AC output power reaching 1200W. Quarter the inverters and quarter the installation means real cost savings for residential and commercial customers.

QS1 Microinverter Datasheet

Region Canada
Model QS1-NA
Input Data (DC)

Recommended PV Module Power (STC) Range	250Wp-440Wp+
MPPT Voltage Range	22V-48V
Operation Voltage Range	16V-55V
Maximum Input Voltage	60V
Startup Voltage	20V
Maximum Input Current	12A×4
Maximum DC short circuit current	15A×4

Output Data (AC)

Maximum Continuous Output Power	1200VA
Peak Output Power	1250VA
Nominal Output Voltage /Range	240V/211V-264V
Adjustable Output Voltage Range	150V-280V
Nominal Output Current	5A
Maximum Units Per Branch	3units per 20A AC breaker
Nominal Output Frequency/Range	60Hz/59.3Hz-60.5Hz
Adjustable Output Frequency Range	55Hz-65Hz
Output Power Factor Rating	>0.99(-0.8~0.8 adjustable)
Total Harmonic Distortion	<3%
Maximum Output Fault Current (AC) And Duration	137 Apk, 0.78 ms of duration

Efficiency

Peak Efficiency	96.5%
Nominal MPPT Efficiency	99.5%
Night Power Consumption	30mW

Mechanical Data

Operating Ambient Temperature Range	-40°F to +149°F(-40°C to +65°C)
Storage Temperature Range	-40°F to +185°F(-40°C to +85°C)
Dimensions (W x H x D)	11.1" x 9.1" x 1.6"(281mm x 231mm x 41.3mm)
Weight	9.9lbs(4.5kg)
AC BUS Maximum Current	25A(12AWG)
Enclosure Rating	Type6
Cooling	Natural Convection - No Fans

Features

Communication	Wireless
Transformer Design	High Frequency Transformers, Galvanically Isolated
Monitoring	Via EMA* Online Portal
Warranty	10 Years Standard ; 25 Years Optional

Certificate&Compliance

Safety And EMC Compliance	UL1741;CSA C22.2 No. 107.1-16; CA Rule 21 (UL 1741 SA);FCC Part15; ANSI C63.4;ICES-003
Grid Connection Compliance	IEEE1547

*APsystems online Energy Management Analysis (EMA) platform

© All Rights Reserved

Specifications subject to change without notice
please ensure you are using the most recent update found at www.APsystems.com

Rm.B403 No.188, Zhangyang Road, Pudong, Shanghai 200120,P.R.C | 021-3392-8205 | APsystems.com